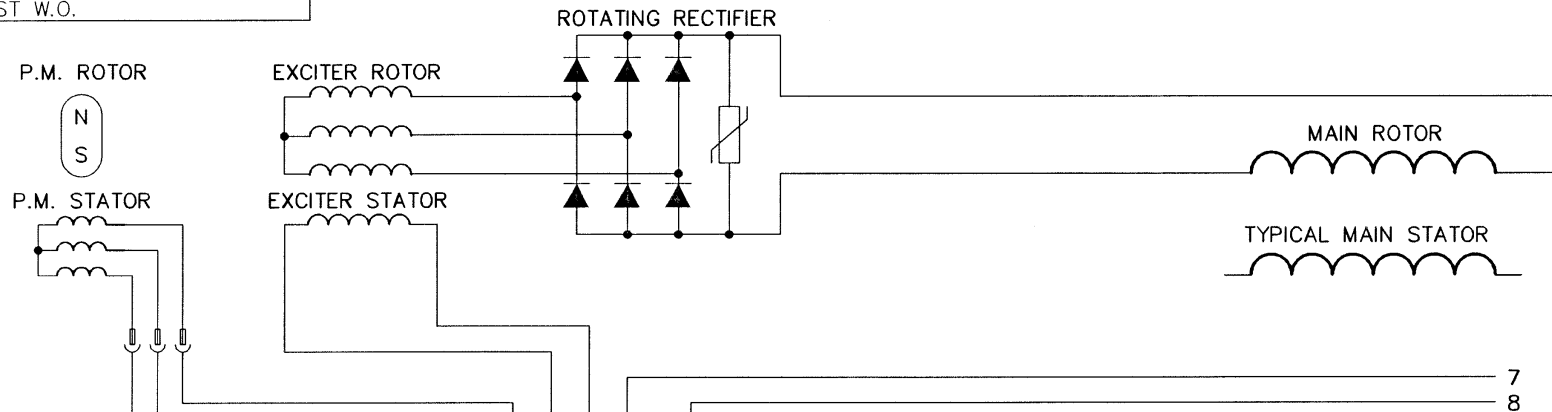


DA7-1341

ISSUE B

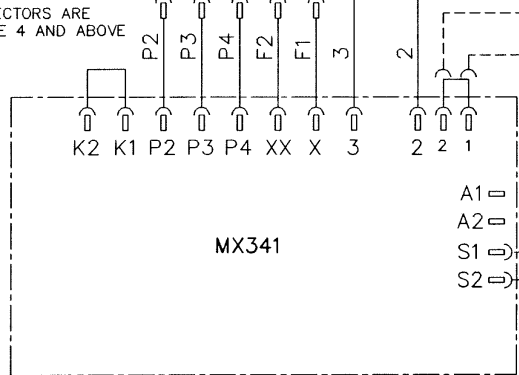
IF IN DOUBT-ASK

FIRST W.O.



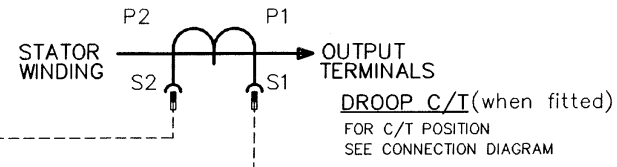
DETAILS OF THE MAIN STATOR AND MAIN TERMINAL CONNECTIONS ARE SHOWN ON SEPARATE WIRING DIAGRAM

* INLINE CONNECTORS ARE FITTED ON FRAME 4 AND ABOVE



HAND TRIMMER

REMOVE LINK
THE USE OF TWO CORE INSULATED SCREENED CABLE IS RECOMMENDED.
CONNECT SCREEN TO AVR TERMINAL 2 ONLY.
CLOCKWISE (CW) INCREASES VOLTS.



BASE DIAGRAM

CERTIFIED PRINT (ONLY IF SIGNED)	FRAME ---	OTHER FEATURES
BY	CONTROL SERIES MX341	
DATE	POLES	
	No. OF ENDS ---	
4/2461/2	SENSING 2 PHASE	
3/9120/1		DA7-1341
MOD.	APP'D <i>MJS</i> 22/06/99	ISSUE B
	NEWAGE INTERNATIONAL Ltd STAMFORD, ENGLAND	SHEET 1 OF 1 SHEETS

4/2461/2	B	SMH	09:06:99	ADDITIONAL TERMINAL '2' ADDED TO AVR, HAND TRIMMER CONNECTIONS REVISED
3/9120/1	A	P.N.	24:3:94	ORIGINAL ISSUE
MOD.	ISS.	DRN.	DATE	ALTERATION